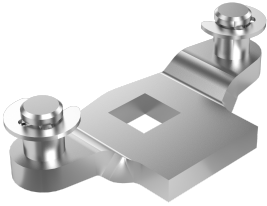


# VISION TWO-POINT CAM SS 304



Two-point cams without projection for swing handles. Stroke: 20 mm. Supplied with E-clips.



## MATERIAL

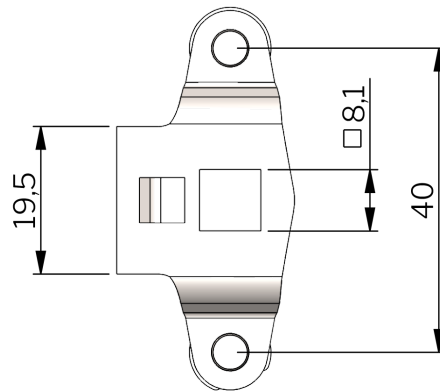
Cam: Stainless steel 304

## RELATED PRODUCTS

Similar products: 1-008.50

Other materials: 1-008.50

Use the Index Code at [industralas.com](http://industralas.com)



**Industralas**  
— When access counts —

P/N	Description	Material
2330S09-00MPU	2-point cam	Stainless steel 304